

## The architecturally attractive DORMA ES61 electric strikes feature a hazard-free radius design.

This stainless steel strike is designed especially to operate with rim exit devices and accommodates hollow metal, aluminum, and wood doors.

Slotted horizontal holes on the ES61 faceplate allow correct alignment with the exit device before final installation.

Locking socket Allen head cap screws prevent loosening and misalignment which can occur with continual door usage.

Crossed wires are never a problem, as the coil is not polarity-conscious.

### DORMA Solutions

- 1000 lb (455 kg) holding force
- Accommodates rim exit devices with pullman latch projections from 1/2" to 3/4" (12.7 mm to 19.1 mm)
- The 1-5/8" deep electrical insert\* may be horizontally adjusted after final installation to correct door misalignments without altering the original faceplate location
- AC or DC input acceptable to all models
- Non-handed
- 630 stainless steel finish

\*A minimum frame depth of 1-5/8" for surface-mounted installations.

### Listings & Approvals

- UL/CUL listed under their continuing reinspection programs and conforms to standards UL 1034 and CVXY for burglary resistant electric door strikes
- ANSI/BHMA 156.31, Grade 1 pending
- CSFM pending
- Contributes to U.S. Green Building Council, LEED® MR Credits 2.1, 4.1, 4.2, and 5.1

### Options & Accessories

- **61DPH**—Double door housing

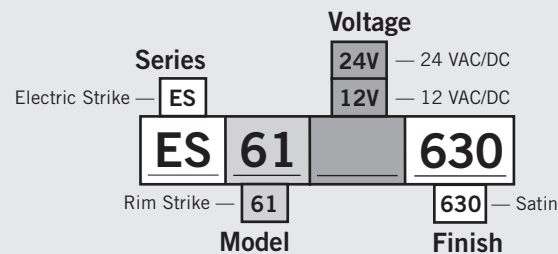


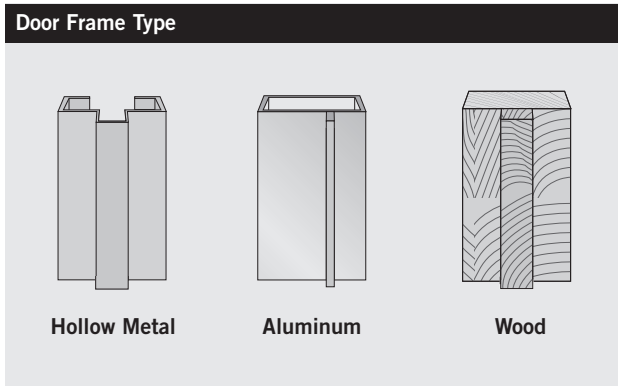
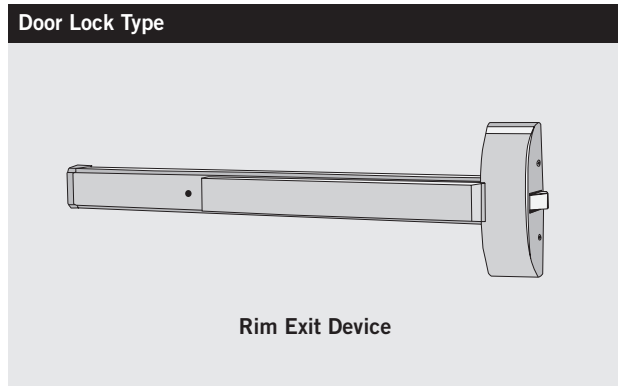
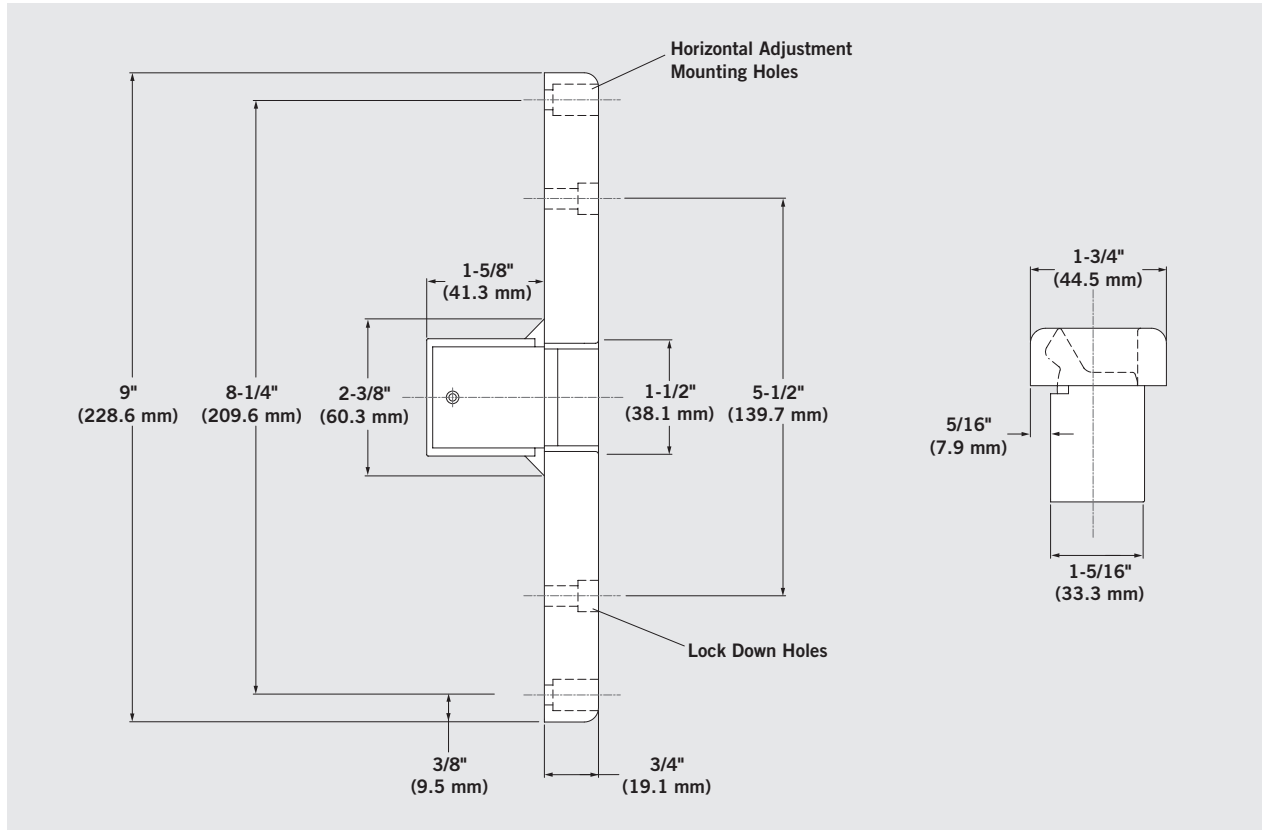
Specifications	ES61
Mode	Fail Secure
Voltage	12 VDC, 24 VDC or 12/24 VAC
Duty	Continuous or intermittent*
Sound	Silent or Buzz
Amps	.07, .11, .15, or .20
Ohms	61 or 215

\*Intermittent duty = energized less than 1 minute with duty ratio 1:5.  
Continuous duty = energized 1 minute or more

NOTE: Specifications are subject to change without notice.

### How to Order ES61 Series





DORMA also offers a complete line of Electromagnetic Locks, Electric Strikes, Door Controls, Power Supplies, Switches, Keypads & Readers, Exit Devices, Systems & Door Hardware.

**DORMA Americas**  
www.dorma-usa.com

**DORMA Architectural Hardware**  
DORMA Drive, Drawer AC  
Reamstown, PA 17567-0411  
Telephone: (800) 523-8483  
Facsimile: (800) 274-9724  
E-mail: archdw@dorma-usa.com

**DORMA Canada**  
1680 Courtney Park Drive, Unit 13  
Mississauga, Ontario L5T 1R4  
Telephone: (800) 387-4938  
Facsimile: (905) 670-5850  
E-mail: sales@dormacanada.com

**DORMA Mexico, S. de R.L. de C.V.**  
Astrónomos 28, Col. Escandón  
México, D.F. 11800  
Del. Miguel Hidalgo  
Telephone: (52+55) 5272-6937  
Facsimile: (52+55) 5272-6948  
E-mail: operacion@dorma.com.mx